

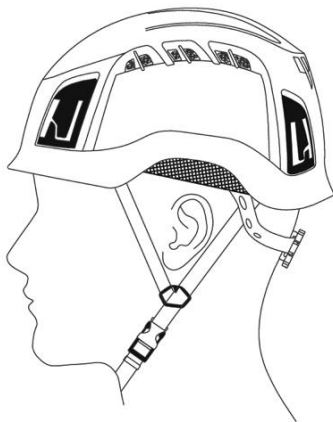


SAFETY HELMET FOR INDUSTRIAL USE

ARMOR

EN 397

USER MANUAL



Rev. 01.03 del 20/09/2023

Costumer			
Manufacturing date			
Purchase date			
Data primo utilizzo / Date of first use			
Data di scadenza / Expiration date			
Check date 1	Result		Note
	Positive <input type="checkbox"/>	Negative <input type="checkbox"/>	
Check date 2	Result		Note
	Positive <input type="checkbox"/>	Negative <input type="checkbox"/>	
Check date 3	Result		Note
	Positive <input type="checkbox"/>	Negative <input type="checkbox"/>	
Check date 4	Result		Note
	Positive <input type="checkbox"/>	Negative <input type="checkbox"/>	
Check date 5	Result		Note
	Positive <input type="checkbox"/>	Negative <input type="checkbox"/>	

AREA FOUR INDUSTRIES ITALIA S.R.L.

Via Martin Luther King, 70
 31032 Casale sul Sile (TV), Italy
 Tel: +39 0422 997300
 Email: info@a4industries.it
 Web: <https://areafourindustries.it/>



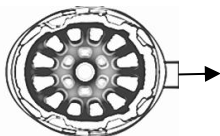
Keep this manual for the lifespan of the helmet.

The information provided by the manufacturer must be read and well understood by the user before using the device, failure to comply with this information could reduce the safety offered by the helmet.

LABELS AND MARKING



- | | |
|--------------------------|---|
| 1. Model Name | 2. Helmet Usage |
| 3. Manufacturer | 4. Harmonized standard, minimum temperature |
| 5. Material of the shell | 6. CE Marking - UKCA |
| 7. Date Of Manufacture | 8. Helmet Weight |
| 9. Size in cm | |



- | |
|--------------------------|
| 1. Year of construction |
| 2. Month of Construction |

SAFETY HELMET FOR INDUSTRIAL USE. MODEL: ARMOR SIZE:53-63 CM ADJUSTABLE

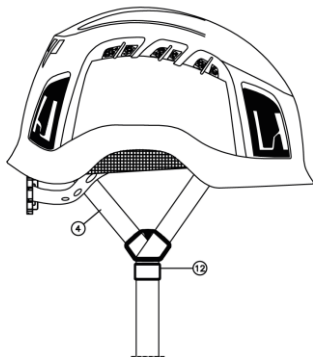
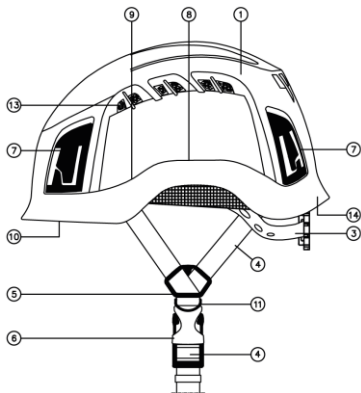
FOR ADEQUATE PROTECTION THIS HELMET HAS TO FIT OR TO BE ADJUSTABLE TO THE SIZE OF THE USER'S HEAD. THE HELMET IS MADE TO ABSORB THE ENERGY OF A BLOW BY PARTIAL DESTRUCTION OR DAMAGE, AND EVEN THOUGH SUCH DAMAGE MAY NOT BE READILY APPARENT, ANY HELMET SUBJECTED TO SEVERE IMPACT SHOULD BE REPLACED. THE ATTENTION OF THE USER IS ALSO DRAWN TO THE DAMAGE OF MODIFYING OR REMOVING ANY OF THE ORIGINAL

COMPONENT PARTS OF THE HELMET, OTHER THAN AS RACCOMANDED BY THE HELMET MANUFACTURER. HELMET SHOULD NOT BE ADAPTED FOR THE PURPOSE OF FITTING ATTACHMENTS IN ANY WAY NON RACCOMANDED BY THE HELMET MANUFACTURER. DO NOT APPLY PAINT, SOLVENTS, ADHESIVE OR SELF-ADHESIVE LABEL, EXCEPT IN ACCORDANCE WITH INSTRUCTIONS FROM THE HELMET MANUFACTURER. ONLY SUBSTANCES THAT HAVE NO ADVERSE EFFECT ON THE HELMET AND ARE NOT KNOWN TO BE LIKELY TO HAVE ANY ADVERSE EFFECT UPON THE WEARER, WHEN APPLIED IN ACCORDANCE AND INFORMATION

DESCRIPTION AND INTENDED USE

The ARMOR protective helmet for industry is a category II personal protective equipment and is intended to be used during work in industries.

The ARMOR helmet has been subjected to EU certification by the accredited body n° 2008 Dolomiticert, via Villanova 7/a, 32013 Longarone (BL) Italy and complies with EU regulation 2016/425, and has been certified according to the EN397: 2012 + A1:2012 and meets the very low temperature optional requirements (-30°C) and is primarily intended to protect the top of the wearer's head from injury due to falling objects.



- 1 Cover,
- 2 Headband,
- 3 Size adjustment system,
- 4 Chin strap,
- 5 Lateral retractor,
- 6 Buckle,
- 7 Lamp holder clip,
- 8 Side slot for noise protection insert,
- 9 Side slit for inserting the visor adapter,
- 10 Marking label,
- 11 Plastic ring to attach the helmet to the belt,
- 12 Metal safety ring (absolutely forbidden to pull, bend or hook anything on it),
- 13 Ventilation,
- 14 Slots for nape sunscreen.

WARNINGS

This helmet has been designed and constructed in such a way as to absorb the energy of an impact with objects falling from above through partial destruction or damage to the shell and bairings, even if such damage may not be immediately visible, any helmet that has been severely impacted must be replaced. Before using the helmet, check its integrity in all its parts. If the user has the slightest doubt about the efficiency of the device, he must replace it immediately, especially after using it to arrest a fall. Wearing a hard hat reduces the likelihood of suffering head injuries, but does not completely rule them out.

The responsibility for the suitability of this helmet for a specific purpose lies with the employer who provides the protective helmet.

Absolutely avoid compressing the helmet, do not use it as a support or support and do not drop it.

Do not grab or hook it by the size adjuster.

It is absolutely forbidden to hook the helmet using the metal safety ring (visible at point 12 of the nomenclature), this ring guarantees in case of danger the opening of the chin strap (4) with a load between 15 and 25 kg (150 - 250N).

Personal use of the device is strongly recommended to keep the degree of protection and efficiency monitored.

The helmet cannot always protect against injuries, especially it should be considered that no helmet is able to protect the head from the forces generated by violent impacts. This helmet must be used only and exclusively for the activity for which it was certified. In the event of an accident with related injuries or even death due to improper use of the helmet, the manufacturer declines all responsibility. This device must be used by physically fit people, trained (informed and trained) for its use or subjected to the direct control of trainers/supervisors who guarantee its safety.

It is absolutely forbidden to modify and/or repair the device. If not supplied or recommended by the manufacturer, do not apply adhesives, solvents and paints because they could compromise the protective function of the helmet.

Check that the device has been supplied intact and with the relative information from the manufacturer.

Never remove labels or markings and check their legibility.

The helmet cannot be used outside the temperature range: -30°C +50°C.

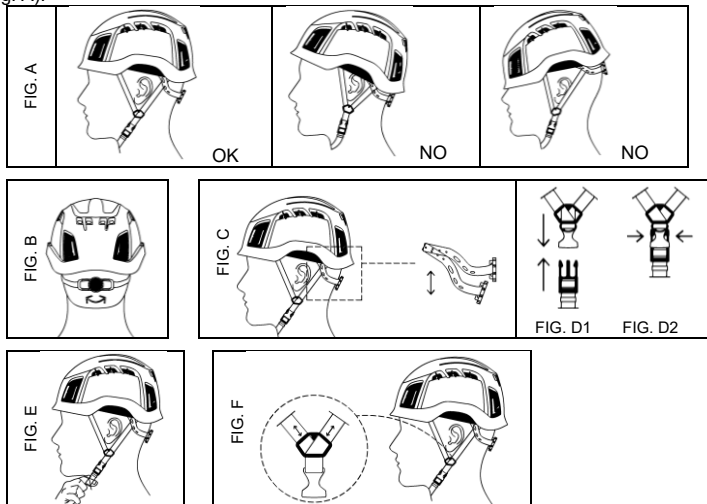
For devices sold in countries other than the original destination, the reseller has the obligation to verify and provide the translation of this information.

Professional and leisure activities are often regulated by specific national laws which may impose limits and/or obligations on the use of the helmet and on the preparation of the safety systems of which PPE is a component.

It is the user's obligation to know and apply these laws which could provide for different limits from what is reported in this information.

INSTRUCTIONS FOR USE AND ADJUSTMENTS

To obtain adequate protection, the helmet must be the right size, well positioned on the head and with the chinstrap buckle closed. The helmet must be adjusted to fit the user's head, for example the straps must be positioned in order to not cover the ears and together with the buckle must be adjusted to be comfortable and secure. Once the chin strap has been adjusted and fastened correctly using the buckle, the helmet must not compress the head too much but also not move freely back and forth (see fig. A).



Put on the helmet positioning correctly the head band by raising or lowering it by a click near the hook to the two rear fixing screws and using the rear wheel of the adjustment system (fig. B), tighten it (by turning the wheel clockwise) or widen it (turn the wheel anticlockwise) also adjusting it in height, keeping it low on the nape of the neck until you feel the helmet firmly fixed around the head (fig. C). Fasten the chin strap by inserting one buckle into the other until you hear the locking click (fig. D1) and check that the buckle is correctly closed (fig. E). Adjust the length of the chin strap by sliding the straps to secure the helmet firmly to the head, the rubber ring must be moved to the end of the strap to prevent it from dangling. Adjust the 2 side retractors of the strap by sliding the straps until you find the desired position below the ear (fig. F). To remove the helmet from the head, remove the chin strap by pressing the 2 side buttons on the buckle (fig. D2).

CLEANING

Clean the helmet using only water, neutral soap and a soft, clean cloth, leaving it to dry naturally at room temperature.

The internal padding can be removed and washed by hand in cold water (max 30°C), absolutely avoid the use of chemical agents or solvents.

TRANSPORT AND STORAGE

There are no particular precautions for transporting the helmet, when not in use it is recommended to keep it at a temperature between 5°C and 35°C, protected from direct sunlight, heat sources and away from chemical substances and environments saline or acidic. It is recommended to store the helmet in its original packaging.

DURATION

Non-compliant use, deformations, falls, more or less intense use, chemical contamination, exposure during storage to temperatures below -30°C or above +50°C for plastic components and textiles, are some examples of other causes that can reduce, limit and terminate the life of the device.

Avoid exposing the device to heat sources and contact with chemicals. Minimize direct exposure to the sun as much as necessary.

In case of occasional use, the helmet should be discarded after 5 years, the maximum life of this device, if stored in optimal conditions, even in case of non-use is 10 years from the production date shown inside the helmet.

CHECKS AND MAINTENANCE

The helmet must be checked before and after each use, if any damage is found such as cracks, detachments, deformation, peeling, loose or missing components or obvious signs of wear, do not use the helmet and contact the manufacturer to have it examined.

Check that the size adjustment system (3), locking system (4,5,6) work correctly as shown in fig. B, C, D1, D2, E, F and the metal circlip (12) is intact and not bent or loose.

A competent and trained inspector must carry out an in-depth examination at least once a year and record the checks on a sheet containing in detail: type of helmet, model, manufacturer's data, date of production, date of purchase, first use and expiry date, date of the inspection and any notes.

REPLACEMENT PARTS

The following spare parts are available: lamp holder clips and padding (bottom + head ring). Modifications, substitutions and/or removals of any original component of the helmet are prohibited unless supplied or authorized by the manufacturer. Do not use accessories not described below, in case of doubt or need contact the retailer or the manufacturer.

ACCESSORIES

Commercially authorized accessories: visor for eye protection (EN166), rear visor for the neck, ear muffs with quick coupling (check that the coupling of the ear muff fits correctly into the side slot (at point 8 in the drawing)).

WARRANTY

The helmet is guaranteed for 1 years for any material or manufacturing defect. Defects attributable to normal wear and tear of the product, modifications, poor storage, improper maintenance or uses other than those for which the device has been certified are excluded from the guarantee.

We decline all responsibility for any direct or indirect, accidental or intentional damage caused by improper use of the helmet.

The user assumes all risks deriving from incorrect use.

DECLARATION OF CONFORMITY

The Armor Helmet Declaration of Conformity is available at:

https://areafourindustries.it/helmet_armor

or by scanning the following QR-code:



The aforementioned website or QR-code can also be used to consult this manual in other languages.

AREA FOUR INDUSTRIES ITALIA S.R.L.

Via Martin Luther King, 70
31032 Casale sul Sile (TV), Italy
Tel: +39 0422 997300
Email: info@a4industries.it